



Pursuing
The Precision
Serving
The World

B01

03
05
07
09
11
13
15
17
19
21
23
25

杠杆指示表 Dial Test Indicator

B

公制杠杆指示表

Metric Dial Test Indicators

英制杠杆指示表

Inch Dial Test Indicators

公英制杠杆指示表

Metric-Inch Dial Test Indicators

大量程杠杆指示表

Long Range Dial Test Indicators



**B02**

04
06
08
10
12
14
16
18
20
22
24
26

杠杆指示表是利用机械传动系统，将测杆的位移转变为指示表指针的角位移，并由指示表进行读数的测量器具。主要用于测量工件的形状尺寸及位置精度。

执行标准：按中国标准GB/T8123 制造。还可按美国标准ASME B89.1.10M、日本工业标准JIS B7533和国际标准ISO9493制造。

The dial test indicator is used to shift the displacement of the contact point to angle displacement of the point on the dial plate by mechanical transmission system. It can measure the dimensions, shapes and position precisions of the workpieces. The dial test indicator are manufactured according to the standard GB/T8123, ASME B89.1.10M and JIS B7533 and ISO9493.

杠杆指示表功能特点：

1. 主体采用高质量黄铜和高强度的锌铝合金材料，关键零件选用非磁性材料，所有型号都具有高的抗磁性能和灵敏度。
2. 所有型号皆带钻、耐用、防震。
3. 杠杆测头的轴承采用微型球轴承。因此灵敏度高，指示稳定。
4. 测量力小，仅0.3 N，所以特别适合薄壁零件的测量，测头可选用硬质合金钢球，延长使用寿命。
5. 测量杆转动范围大，220°，主体有3处燕尾槽，便于装卡。
6. 根据要求可提供渐开线形状测头。

SPECIFICATION AND FUNCTION

1. Main bodies are machined from high quality brass or zinc—aluminium alloy. Crucial parts are made of special nonmagnetic materials, All models have high resistance to magnetism and sensitivity.
2. These models are all jeweled, durable, vibrationproof.
3. The bearing at the turning point of the contact point is a miniature bearing(pivot ball bearing). Accordingly, the indication is reliable with little effect of shaft clearance.
4. The measuring force is low, just 0.3N, so that these models are well suited for measurement with thin objects. The contact point is a carbide ball(optional), which has long durability.
5. The contact piont can be set at any desired angle within a circular arc of 220 degrees. have 3 dovetails to suit attachments.
6. Involute—shaped contact points are produced to order.



Pursuing
The Precision
Serving
The World

杠杆指示表 DIAL TEST INDICATORS

公制杠杆指示表 Metric Dial Test Indicators

01

B03

05

07

09

11

13

15

17

19

21

23

25



422-102



411-102



412-401



424-102

加长测头杠杆指示表



414-101



414-111

性能及特点

- 黄铜合金 (锌铝合金) 主体、抗磁性能高
- 机芯镶嵌红刚玉轴承, 防震耐用
- 测杆传动采用滚珠轴承结构
- 测头钢球可选用硬质合金、人造刚玉和普通碳钢
- 3处燕尾槽

端面杠杆指示表

Vertical Dial Test Indicators



419-102

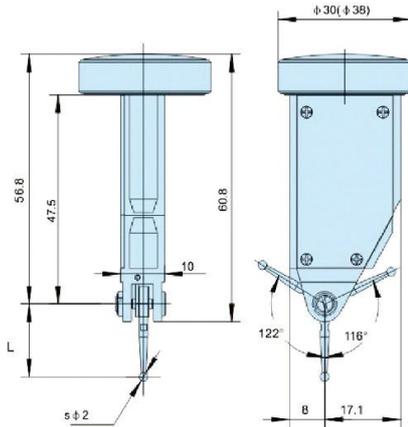
FEATURES

- High quality brass main bodies (Zinc aluminium alloy) high resistance to magnetism
- Jeweled, vibration proof, durable
- Pivot ball bearing
- Carbide, jewel or steel ball contact point
- Three dovetails

杠杆指示表 DIAL TEST INDICATORS

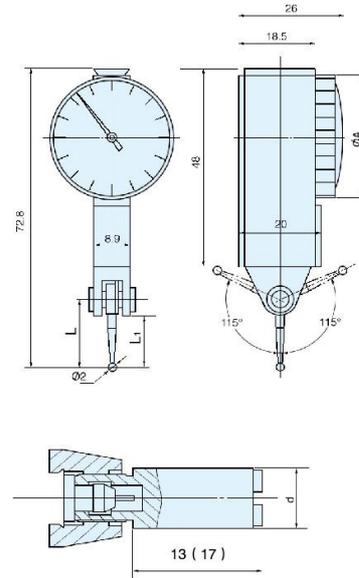
公制杠杆指示表 Metric Dial Test Indicators

外形尺寸图 DIMENSIONS(mm)



417-101

外形尺寸图 DIMENSIONS(mm)



02

B04

06

08

10

12

14

16

18

20

22

24

26

货号 Nr.	型号 Model	分度值 Grad.(mm)	量程 Range (mm)	尺寸Dimensions(mm)					备注
				A	d1	d2	L	L1	
411-101	WL88A	0.01	0.8	∅30	∅8	∅6	16.5	12.5	
411-102	WL88B	0.01	0.8	∅37.5	∅8	∅6	16.5	12.5	
412-401	WL86	0.002	0.2	∅30	∅8	∅6	16.0	12.0	
412-402	WL86	0.002	0.2	∅37.5	∅8	∅6	16.0	12.0	
414-101	WL88D	0.01	0.8	∅30	∅8	∅6	46.4	42.4	
414-102	WL88D	0.01	0.8	∅37.5	∅8	∅6	46.4	42.4	
414-111	WL88M	0.01	0.8	∅30	∅8	∅6	30.5	26.5	
414-112	WL88M	0.01	0.8	∅37.5	∅8	∅6	30.5	26.5	
416-101	WL88H	0.01	0.8	∅30	∅8	∅6	16.5	12.5	
416-102	WL88H	0.01	0.8	∅37.5	∅8	∅6	16.5	12.5	
417-101	WL88G	0.01	0.8	∅30	∅8	∅6	16.5	12.5	
417-102	WL88G	0.01	0.8	∅37.5	∅8	∅6	16.5	12.5	
418-101	WL88H	0.002	0.2	∅30	∅8	∅6	16.0	12.0	
418-102	WL88H	0.002	0.2	∅37.5	∅8	∅6	16.0	12.0	
419-101	WL88K	0.002	0.2	∅30	∅8	∅6	16.0	12.0	
419-102	WL88K	0.002	0.2	∅37.5	∅8	∅6	16.0	12.0	
420-101	WL88J	0.01	1.6	∅30	∅8	∅6	16.5	12.5	
420-102	WL88J	0.01	1.6	∅37.5	∅8	∅6	16.5	12.5	
422-101	WL88D	0.01	0.8	∅30	∅8	∅6	16.5	12.5	锌铝合金 Zinc-aluminium alloy
422-102	WL88D	0.01	0.8	∅37.5	∅8	∅6	16.5	12.5	锌铝合金 Zinc-aluminium alloy
424-101	WL91	0.01	0.5	∅30	∅8	∅6	16.5	12.5	
424-102	WL91B	0.01	0.5	∅37.5	∅8	∅6	16.5	12.5	



Pursuing
The Precision
Serving
The World

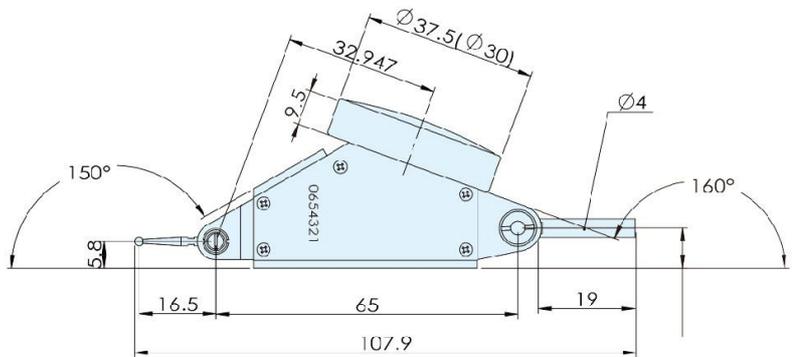
杠杆指示表 DIAL TEST INDICATORS

公制杠杆指示表 Metric Dial Test Indicators

大量程杠杆指示表刻度盘示意图



外形尺寸图 DIMENSIONS(mm)

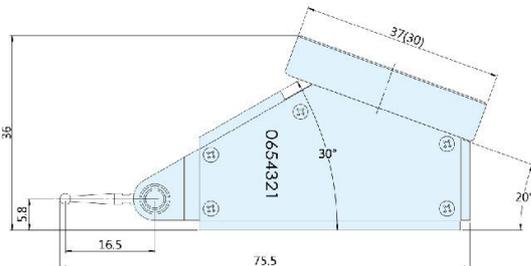


420-102

倾斜杠杆指示表

Tilted Face Dial Test Indicators

外形尺寸图 DIMENSIONS(mm)



416-102



418-102

01

03

B05

07

09

11

13

15

17

19

21

23

25

大量程倾斜杠杆指示表

Long Range Tilted Face Dial Test Indicators

杠杆指示表 DIAL TEST INDICATORS

锌铝合金杠杆指示表 Zinc-Aluminium Alloy Dial Test Indicators

02

04

B06

08

10

12

14

16

18

20

22

24

26



422-101



422-301

金属表圈可提供银灰色、黑色、蓝色、金色和红色等





Pursuing
The Precision
Serving
The World

杠杆指示表 DIAL TEST INDICATORS

英制杠杆指示表 Inch Dial Test Indicators

01

03

05

B07

09

11

13

15

17

19

21

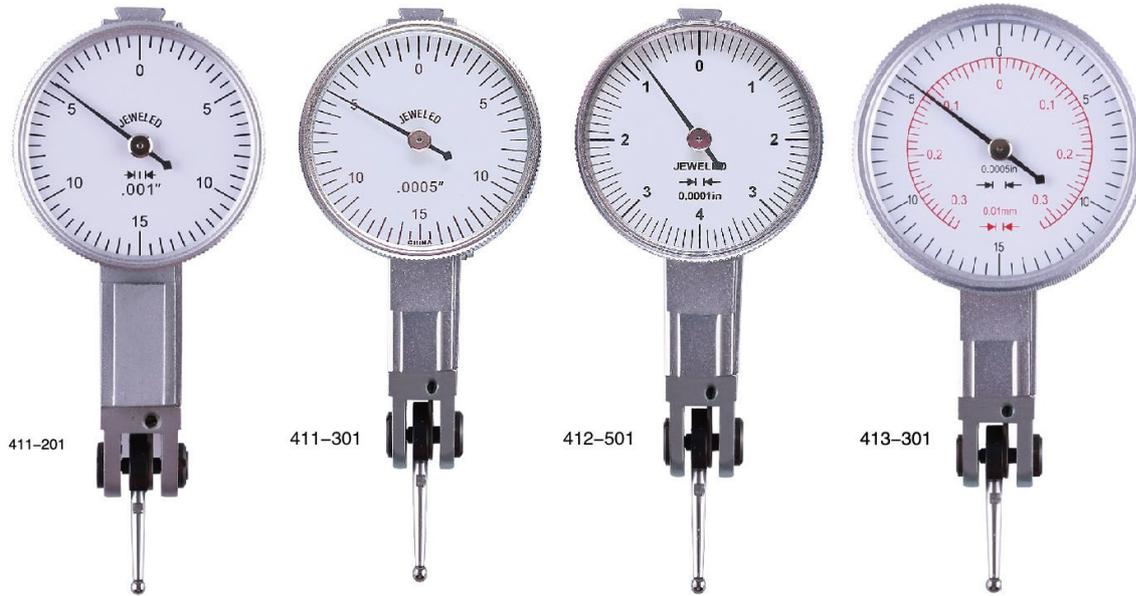
23

25

主要技术参数 SPECIFICATIONS

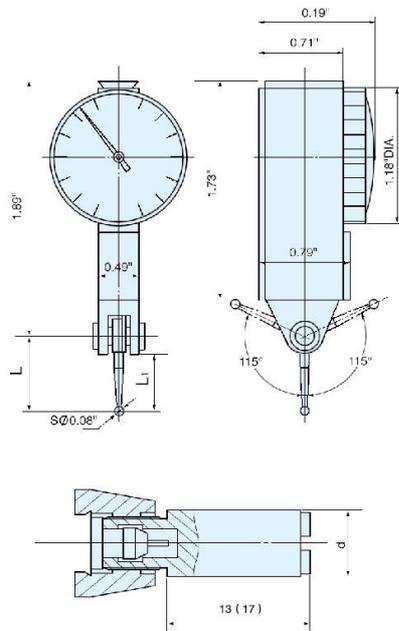
货号 Nr.	型号 Model	分度值 Grad.(mm)	量程 Range (in)	尺寸Dimensions(mm)					备注
				A	d1	d2	L	L1	
411-201	WL99-1	0.001"	0.03"	1.18"	3/8"	5/32"	0.62"	0.35"	Standard Type
411-202	WL99-1	0.001"	0.03"	1.48"	3/8"	5/32"	0.62"	0.35"	Standard Type
411-301	WL99-2	0.0005"	0.03"	1.18"	3/8"	5/32"	0.62"	0.35"	Standard Type
411-302	WL99-2	0.0005"	0.03"	1.48"	3/8"	5/32"	0.62"	0.35"	Standard Type
412-501	WL85	0.0001"	0.008"	1.18"	3/8"	5/32"	0.64"	0.37"	Standard Type
412-502	WL85	0.0001"	0.008"	1.48"	3/8"	5/32"	0.64"	0.37"	Standard Type
413-301	WL99-2	0.01mm/0.0005"	0.6mm/0.03"	1.48"	3/8"	5/32"	0.62"	0.35"	Standard Type
414-301	WL99-2	0.0005"	0.03"	1.18"	3/8"	5/32"	1.74"	1.47"	Long Styli Type
414-302	WL99-2	0.0005"	0.03"	1.48"	3/8"	5/32"	1.74"	1.47"	Long Styli Type
414-311	WL88M	0.0005"	0.03"	1.18"	3/8"	5/32"	1.14"	0.99"	Long Styli Type
414-312	WL88M	0.0005"	0.03"	1.48"	3/8"	5/32"	1.14"	0.99"	Long Styli Type
416-201	WL88H	0.001"	0.03"	1.18"	3/8"	5/32"	0.62"	0.35"	Tilted Face Type
416-202	WL88H	0.001"	0.03"	1.48"	3/8"	5/32"	0.62"	0.35"	Tilted Face Type
416-301	WL88H	0.0005"	0.03"	1.18"	3/8"	5/32"	0.62"	0.35"	Tilted Face Type
416-302	WL88H	0.0005"	0.03"	1.48"	3/8"	5/32"	0.62"	0.35"	Tilted Face Type
417-201	WL88G	0.001"	0.03"	1.18"	3/8"	5/32"	0.62"	0.35"	Vertical Type
417-202	WL88G	0.001"	0.03"	1.48"	3/8"	5/32"	0.62"	0.35"	Vertical Type
417-301	WL88G	0.0005"	0.03"	1.18"	3/8"	5/32"	0.62"	0.35"	Vertical Type
417-302	WL88G	0.0005"	0.03"	1.48"	3/8"	5/32"	0.62"	0.35"	Vertical Type
418-501	WL88H	0.0001"	0.008"	1.18"	3/8"	5/32"	0.64"	0.37"	Tilted Face Type
418-502	WL88H	0.0001"	0.008"	1.48"	3/8"	5/32"	0.64"	0.37"	Tilted Face Type
419-501	WL88K	0.0001"	0.008"	1.18"	3/8"	5/32"	0.64"	0.37"	Vertical Type
419-502	WL88K	0.0001"	0.008"	1.48"	3/8"	5/32"	0.64"	0.37"	Vertical Type
420-201	WL88J	0.001"	0.06"	1.18"	3/8"	5/32"	0.62"	0.35"	Long Range Tilted Type
420-202	WL88J	0.001"	0.06"	1.48"	3/8"	5/32"	0.62"	0.35"	Long Range Tilted Type
420-301	WL88J	0.0005"	0.06"	1.18"	3/8"	5/32"	0.62"	0.35"	Long Range Tilted Type
420-302	WL88J	0.0005"	0.06"	1.48"	3/8"	5/32"	0.62"	0.35"	Long Range Tilted Type
421-201	WL88N	0.001"	0.06"	1.18"	3/8"	5/32"	0.62"	0.35"	Long Range Vertical Type
421-202	WL88N	0.001"	0.06"	1.48"	3/8"	5/32"	0.62"	0.35"	Long Range Vertical Type
421-301	WL88N	0.0005"	0.06"	1.18"	3/8"	5/32"	0.62"	0.35"	Long Range Vertical Type
421-302	WL88N	0.0005"	0.06"	1.48"	3/8"	5/32"	0.62"	0.35"	Long Range Vertical Type
422-201	WL99-1	0.001"	0.03"	1.18"	3/8"	5/32"	0.62"	0.35"	锌铝合金 Zinc-aluminium alloy
422-202	WL99-1	0.001"	0.03"	1.48"	3/8"	5/32"	0.62"	0.35"	
422-301	WL99-2	0.0005"	0.03"	1.18"	3/8"	5/32"	0.62"	0.35"	
422-302	WL99-2	0.0005"	0.03"	1.48"	3/8"	5/32"	0.62"	0.35"	
423-301	WL99-2	0.01mm/0.0005"	0.6mm/0.03"	1.48"	3/8"	5/32"	0.62"	0.35"	
424-301	WL91	0.0005"	0.02"	1.18"	3/8"	5/32"	0.65"	0.49"	Standard Type
424-302	WL91B	0.0005"	0.02"	1.48"	3/8"	5/32"	0.65"	0.49"	Standard Type

杠杆指示表 DIAL TEST INDICATORS 英制杠杆指示表 Inch Dial Test Indicators



02
04
06
B08
10
12
14
16
18
20
22
24
26

外形尺寸图 DIMENSIONS(inch)



424-301



Pursuing
The Precision
Serving
The World

杠杆指示表 DIAL TEST INDICATORS

英制杠杆指示表 Inch Dial Test Indicators

01
03
05
07
B09
11
13
15
17
19
21
23
25

英制大量程杠杆指示表

Inch Large Range Dial Test Indicators

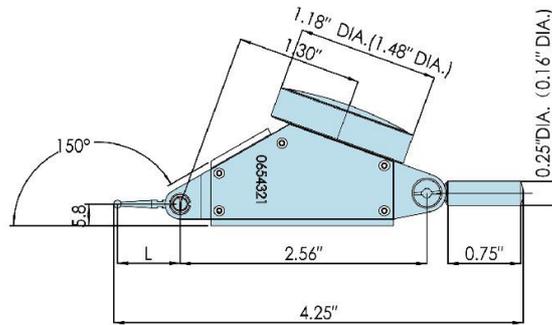


420-301



420-201

外形尺寸图 DIMENSIONS(inch)



英制倾斜杠杆指示表

Inch tilted face dial test indicators

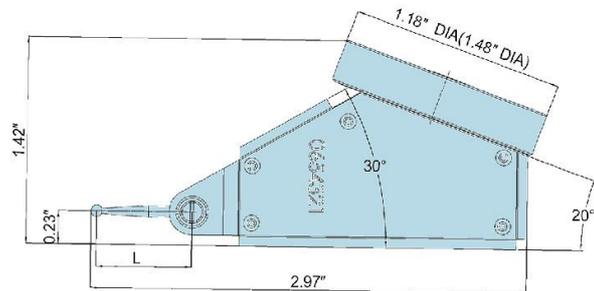


416-302



418-502

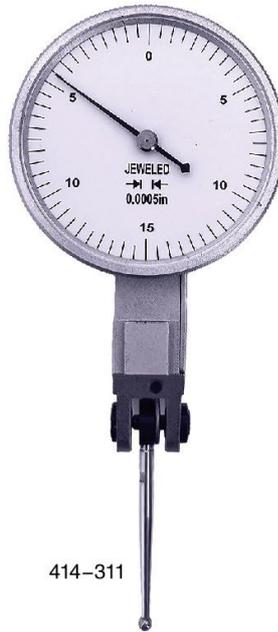
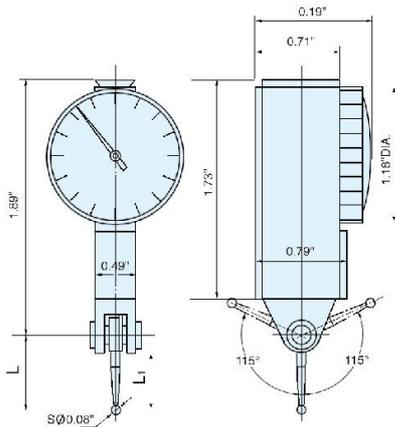
外形尺寸图 DIMENSIONS(inch)



杠杆指示表 DIAL TEST INDICATORS

英制加长测头杠杆指示表
Inch Long Styli Dial Test Indicators

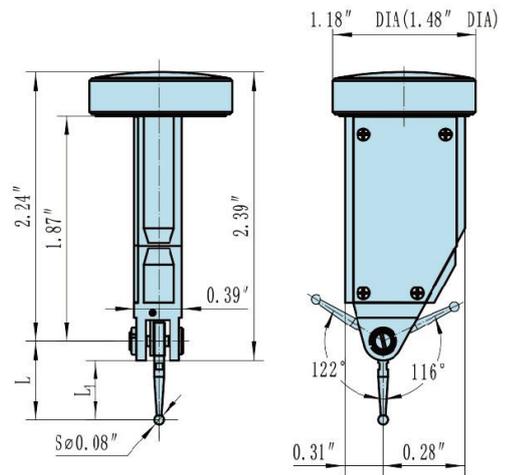
外形尺寸图 DIMENSIONS(inch)



02
04
06
08
B10
12
14
16
18
20
22
24
26

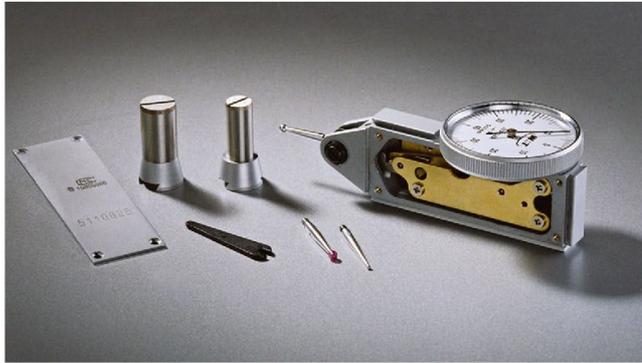
英制端面杠杆指示表
Inch Vertical Dial Test Indicators

外形尺寸图 DIMENSIONS(inch)

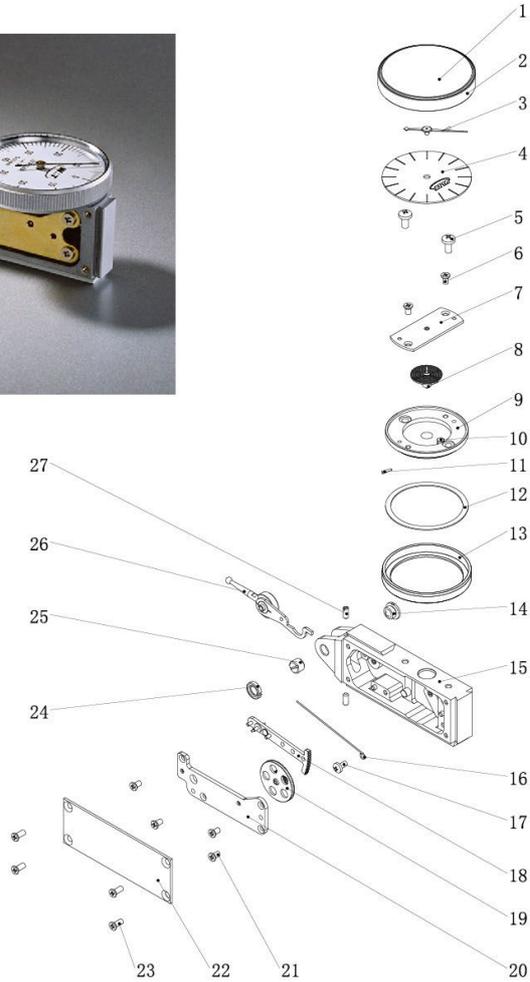
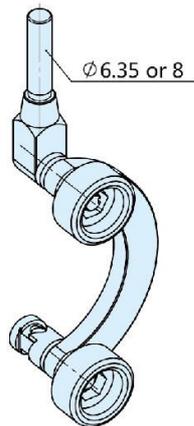


杠杆指示表附件 DIAL TEST INDICATORS ACCESSORIES

01
03
05
07
09
B 11
13
15
17
19
21
23
25



调心支架组件外形图 DIMENSIONS(mm)

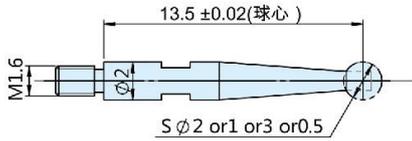


序号 Index No.	名称 Parts Name	备注 Note	序号 Index No.	名称 Parts Name	备注 Note	序号 Index No.	名称 Parts Name	备注 Note
1	表玻璃glass		10	游丝支柱spring stanchion		19	端面齿轮部件crown gear assy	千分需更换
2	表盖bezel		11	游丝销spring pin		20	上夹板部件top plate assy	
3	指针部件hand assy		12	弹簧圈tension spring		21	紧固螺钉screw for top plate	
4	刻度盘dial plate		13	回转盘outer ring		22	后盖板back	
5	固定盘紧固螺钉screw for inner ring		14	轴承B部件 B pivot bearing assy		23	紧固螺钉screw for back	
6	轴承板紧固螺钉screw for bear plate		15	主体部件main body assy	千分需更换	24	紧固螺母nut	
7	轴承板部件bear plate assy		16	测力弹簧spring		25	轴承A部件 A pivot bearing assy	
8	中心齿轮部件中心 gear assy	千分需更换	17	紧固螺钉screw for spring		26	杠杆测头部件 contact point assy	千分需更换
9	固定盘部件inner ring assy	千分需更换	18	杠杆齿轮部件sector gear assy	千分需更换	27	行程螺钉stop screw	

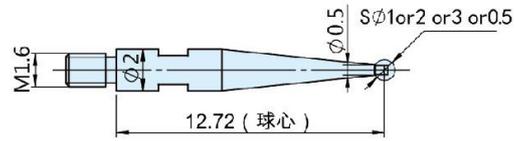
杠杆指示表附件

DIAL TEST INDICATORS ACCESSORIES

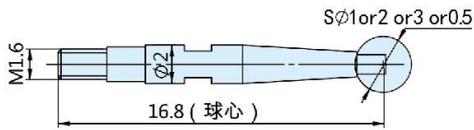
公制百分测头杆外形尺寸图 DIMENSIONS(mm)



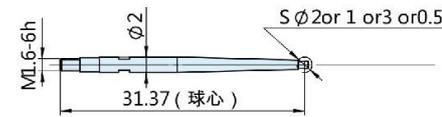
英制测头杆外形尺寸图 DIMENSIONS(mm)



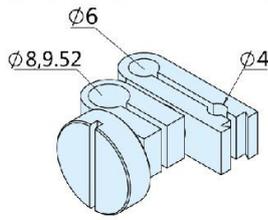
公制千分测头杆外形尺寸图 DIMENSIONS(mm)



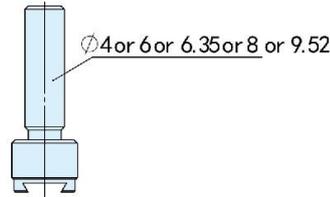
公制加长测头杆WL88M外形尺寸图 DIMENSIONS(mm)



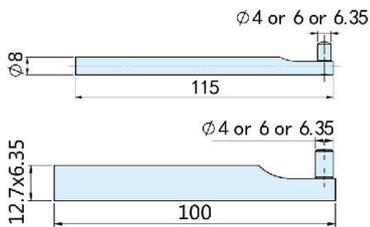
紧固器组件外形尺寸图 DIMENSIONS(mm)



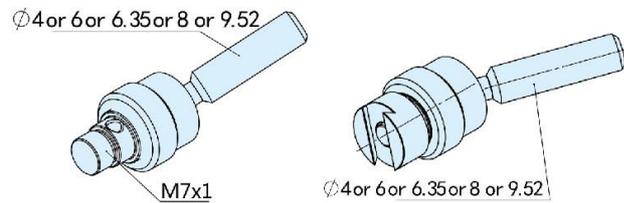
不锈钢夹持柄组件外形尺寸图 DIMENSIONS(mm)



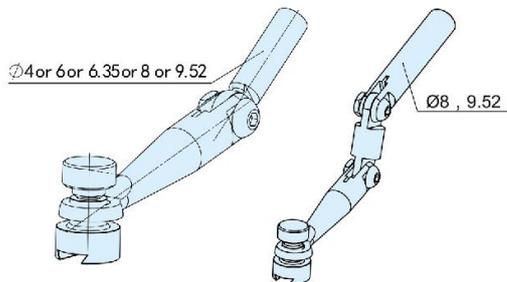
夹持棒(扁)外形尺寸图 DIMENSIONS(mm)



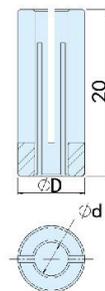
万能支架带螺柱(燕尾)外形尺寸图 DIMENSIONS(mm)



单(双)臂支架外形尺寸图 DIMENSIONS(mm)



公英制转换套外形尺寸图 DIMENSIONS(mm)



规格	d	D
4-6	4	6
4-6.35	4	6.35
4-8	4	8
4-9.52	4	9.52
6-8	6	8
6.35-8	6.35	8
6.35-9.52	6.35	9.52
8-9.52	8	9.52

02
04
06
08
10
12
14
16
18
20
22
24
26

B 12